

PRODUCT DATASHEET

ENDURA STYLE UpDown Flex Sensor 13 W DG

ENDURA STYLE UPDOWN FLEX | Wall luminaire with rotatable head and optional sensor



AREAS OF APPLICATION

- Outdoor use (only roofed areas)
- Building facades
- Entrance lighting
- Patios, balconies

PRODUCT BENEFITS

- 5 years guarantee
- Easy and quick installation
- Energy-efficient thanks to LED technology

PRODUCT FEATURES

- Rotation angle luminaire head: 340°
- Available with and without motion sensor
- Type of protection: IP44
- Die-cast aluminum housing



TECHNICAL DATA

Electrical data

Nominal wattage	12.50 W
Operating mode	Electronic control gear (ECG)
Nominal voltage	220...240 V
Mains frequency	50/60 Hz

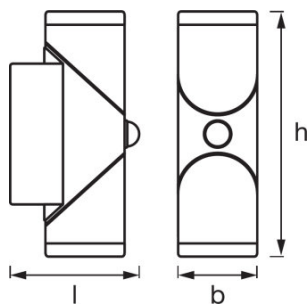
Photometrical data

Color temperature	3000 K
Color rendering index Ra	≥80
Light color (designation)	Warm White
Luminous flux	700 lm
Luminous efficacy	54 lm/W
Luminous efficacy of lamp in luminaire	54 lm/W

Luminaire sensor data

Detection range of motion sensor	7 m
Detection threshold of daylight sensor	5...2000 lx
Sensor controlled switching time	5 s...5 min

— Dimensions & weight



Length	106.0 mm
Width	65.0 mm
Height	220.0 mm
Product weight	1000.00 g

Colors & materials

Body material	Aluminum
Housing color	Dark gray

Product color	Dark gray
Cover material	Polymethylmethacrylate (PMMA)

Temperatures & operating conditions

Ambient temperature range	-20...40 °C
----------------------------------	-------------

Lifespan

Lifespan	30000 h
-----------------	---------

Additional product data

Mounting type	Surface
Mounting location	Wall / Ceiling

Capabilities

Dimmable	No
Type of connection	Terminal

Certificates & standards

Protection class	I
Type of protection	IP44
Standards	CE/EAC/REACH/RoHS

EQUIPMENT / ACCESSORIES

- Complete mounting and connecting accessories included

LOGISTICAL DATA

Product code	Product description	Packaging unit (Pieces/Unit)	Dimensions (length x width x height)	Volume	Gross weight
4058075123090	ENDURA STYLE UpDown Flex Sensor 13 W DG	Shipping carton box 6	315 mm x 265 mm x 250 mm	20.87 dm ³	7390.00 g

The mentioned product code describes the smallest quantity unit which can be ordered. One shipping unit can contain one or more single products. When placing an order, for the quantity please enter single or multiples of a shipping unit.

REFERENCES / LINKS

For Guarantee see

- ▶ www.osram-lamps.com/guarantee

DISCLAIMER

Subject to change without notice. Errors and omission excepted. Always make sure to use the most recent release.