

**Ordering number FA11233_NIS53-SS**

Family	Rose	FWHM	15 degrees
Type	Assembly	Efficiency	-
LED	NS9x153	cd/lm	-
Color	Black	Gerber File	Available
Diameter	21.6 + 21.6 mm		
Height	13 mm		
Style	Square		
Optic Material	PC		
Holder Material	PC		
Fastening	Tape		
Status	On production		

**Ordering number FA11234_NIS53-D**

Family	Rose	FWHM	16 degrees
Type	Assembly	Efficiency	-
LED	NS9x153	cd/lm	-
Color	Black	Gerber File	Available
Diameter	21.6 + 21.6 mm		
Height	13 mm		
Style	Square		
Optic Material	PC		
Holder Material	PC		
Fastening	Tape		
Status	On production		

**Ordering number FA11235_NIS53-M**

Family	Rose	FWHM	30 degrees
Type	Assembly	Efficiency	-
LED	NS9x153	cd/lm	-
Color	Black	Gerber File	Available
Diameter	21.6 + 21.6 mm		
Height	13 mm		
Style	Square		
Optic Material	PC		
Holder Material	PC		
Fastening	Tape		
Status	On production		

**Ordering number FA11236_NIS53-O**

Family	Rose	FWHM	46+15.5 degrees
Type	Assembly	Efficiency	-
LED	NS9x153	cd/lm	-
Color	Black	Gerber File	Available
Diameter	21.6 + 21.6 mm		
Height	13 mm		
Style	Square		
Optic Material	PC		
Holder Material	PC		
Fastening	Tape		
Status	On production		

**Ordering number FA11237_NIS53-WW**

Family	Rose	FWHM	66 degrees
Type	Assembly	Efficiency	-
LED	NS9x153	cd/lm	-
Color	White	Gerber File	Available
Diameter	21.6 + 21.6 mm		
Height	13 mm		
Style	Square		
Optic Material	PC		
Holder Material	PC		
Fastening	Tape		
Status	On production		

NOTE: The typical divergence will be changed by different color, chip size and chip position tolerance. The typical total divergence is the full angle measured where the luminous intensity is half of the peak value.



PRODUCT DATASHEET Rose series

last update 26/2/2013



GENERAL INFORMATION

- Product series especially designed & optimized for NS9x153 series of LEDs.
- Special care taken to make light distribution as uniform as possible.
- Lens material optical grade PC with high UV and temperature resistance (120 degrees of Celcius / 248 degrees of Fahrenheit). Allows use of high current and temperature conditions.

Please find more information about used materials from below:

http://ledil.fi/sites/default/files/Documents/Technical/Material/PC%20Makrolon%202400_2407_2456_2458-UL.pdf

- Optic holder molded by high quality PC material (120 degees of Celcius / 248 degrees of Fahrenheit).
- Fastening to heat sink with a PU foam adhesive tape of automotive grade. Please find fastening details by clicking link: http://www.ledil.com/datasheets/DataSheet_TAPE.pdf

NOTE 1: We advise customer to ensure the suitability and sufficiency of the bond in the end product. For example, mechanical stress, vibration and holes on the surface of the circuit board weaken the strength of the tape.

NOTE 2: Assembly to the surface must be made straight, so the tape bonds constant and balanced with fastening surface. Slanted assembly might cause unbalanced bond to the surface. All surfaces where tape is applied must be clean, dry and free from grease and dirt.

If cleaning of PCB surfaces is needed, please follow strictly the cleaning instructions of your LED manufacturer - this is important as cleaning shall under no circumstances damage LEDs or other electronics components on the PCB.

Further note that optical components shall not be cleaned with any chemicals - only micro fiber cloth may be used to remove fingerprints or other traces from handling.

D

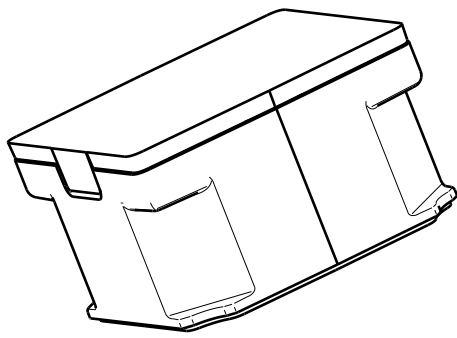
C

B

A

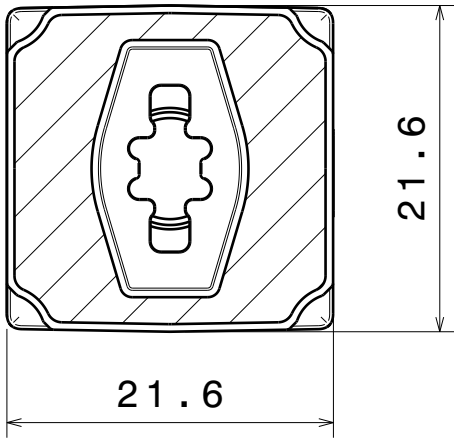
4

4



3

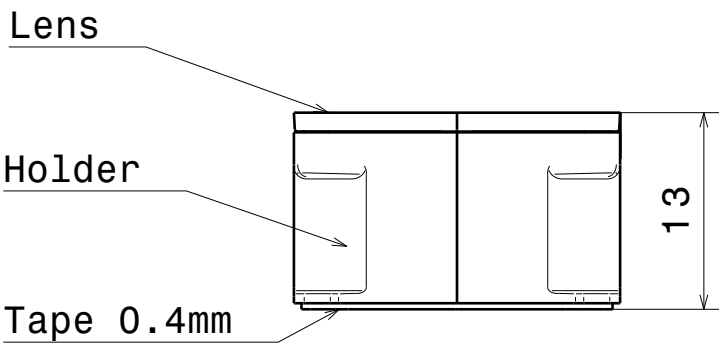
3



Bottom view

2

2



Front view

Materials:
 holder, PC Black
 lens, PC
 tape, PU foam

1

1

This drawing is our property.
 It can't be reproduced
 or communicated without
 our written agreement.



L
T
F
F

e
e
i
i
N
n

d

h

DRAWING TITLE

Datasheet NIS53 assy

DRAWN BY
p

DATE
05.11.2009

CHECKED BY
T K

DATE
28.09.2009

SIZE
A4

DRAWING NUMBER

REV
1

DESIGNED BY
pv

DATE
28.09.2009

SCALE 2:1

WEIGHT (g) -

SHEET 1/1

D

A