

ELP10X1PS

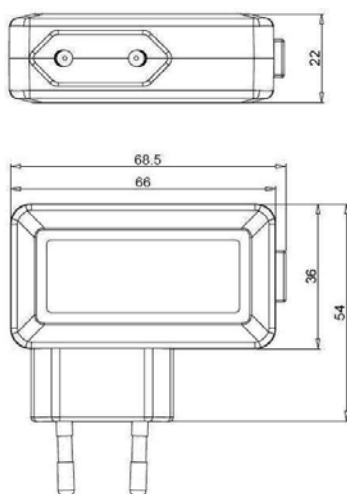
Elektronic LED Power Supply
Drive 6...10x 1,2W/350mA LED
IP20



I. Technical Data

Allgemein	
Input voltage:	220...240V AC
Input current:	50mA (max.)
Frequency:	50/60Hz
Output current:	350mA
Output voltage:	21V...35VDC
Load:	6...10 x 1W/350mA LED
Power factor:	≥0,7 (@25°C with full load)
Efficiency:	≥77% (@full load)
No-load loss:	≤ 0,3W
Reliability (MTBF):	≥50000 hours (@ 25°C with full load)
Ambient temperature:	-20°C...45°C
Surface temperature:	75°C (max.)
Dimmable:	No
Sicherheit und Schutz	
Protection class:	IP20
Isolation class:	Class II, SELV
Over temperature protection:	integrated, automatic resettable after temperature descending
Short circuit protection:	integrated, automatic resettable after temperature descending
Isolation voltage:	4200V AC / 5mA / 1min
Normen und Approval	
Safety Norm:	EN61347-2-13:2006, EN61347-1:2001, EN60598-1:2004+A1:2006
LVD Norm:	Low voltage Directive 2006/95/EC
EMC Norm:	EN55015:2006, EN61547:1995+A1:2000 EN61000-3-2:2006, EN61000-3-3:1995+A1:2001+A2:2005
Approval:	INTERTEK SEMKO
CE Marking:	Yes
RoHS compatible:	Yes

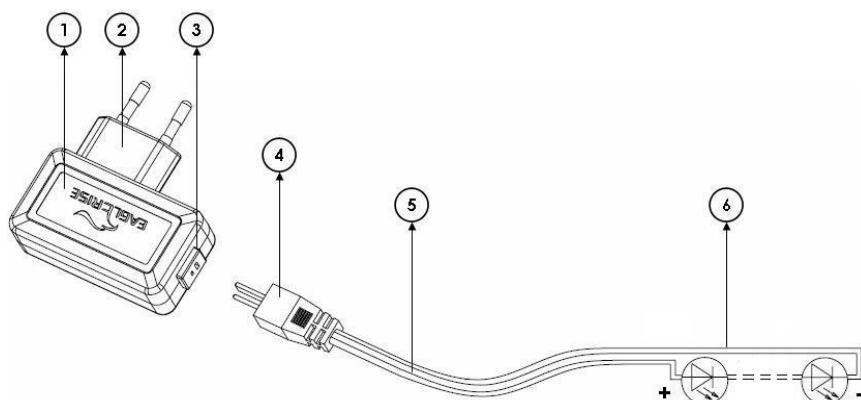
II. Construction



Unit: mm

Dimension	
Overall (LxBxH):	68,5 x 22 x 54mm
Body(LxBxH):	66 x 22 x 36mm
Input	
Input plug:	CEE7/16
Output	
Output socket:	SR-027
Output cable:	original 1,2m transparent color max 4,5m (optional white color)

III. Installation



DANGER! Don't work with connecting electric power! The components in this device may have deadly voltage und high stored energy! All installation works must be performed with specialized personnel!

Components	
1	LED driver / device body
2	Input plug
3	Output socket (SR-027)
4	Connector of output cable
5	Output cable (1,2m)
6*	6...10 x1,2W/350mA LED

* not inclusive in the product packing