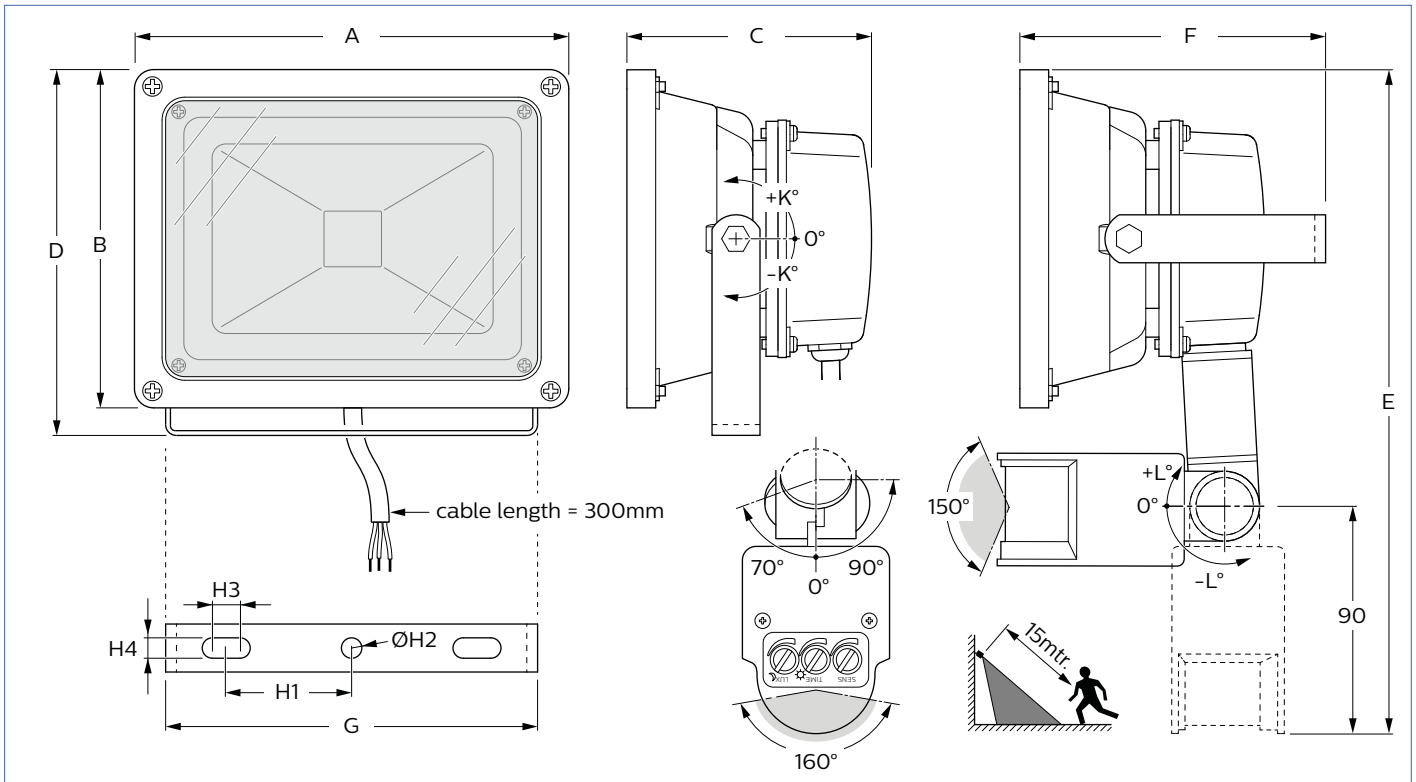


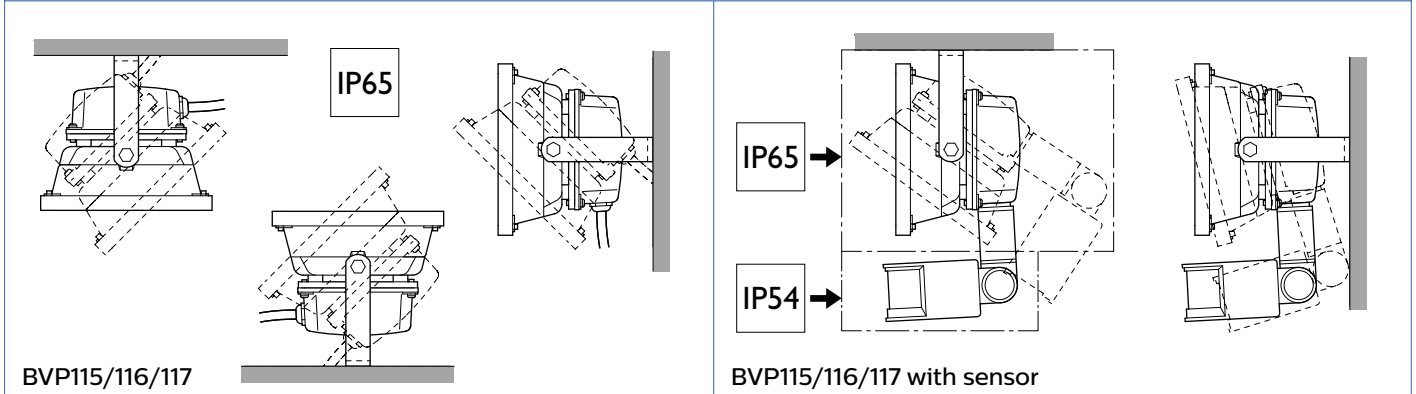
PHILIPS QVF LED BVP115/116/117

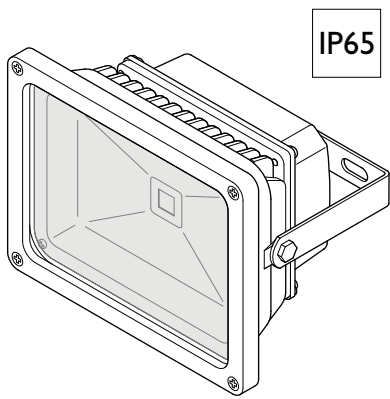


	Sensor	IP level lum/MDU	System light output(Lm)	System power (W)	Color temperature(K)	Ta Min. (°C)	Ta Max. (°C)	m ²	m	kg
BVP115 LED8/740 WB		65/NA	760	11	4000	-20	40	0,03	0,5	1,10
BVP116 LED25/740 WB		65/NA	2500	35	4000	-20	40	0,04	0,5	2,20
BVP117 LED41/740 WB		65/NA	4050	54	4000	-20	40	0,07	0,5	3,50
BVP115 LED8/740 WB MDU	✓	65/54	760	11	4000	-10	40	0,04	0,5	1,25
BVP116 LED25/740 WB MDU	✓	65/54	2500	35	4000	-10	40	0,05	0,5	2,35
BVP117 LED41/740 WB MDU	✓	65/54	4050	54	4000	-10	40	0,08	0,5	3,65



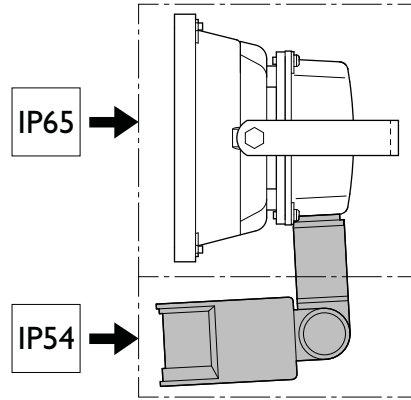
	A	B	C	D	E	F	G	H1	H2	H3	H4	+K°	-K°	+L°	-L°
BVP115 LED8/740 WB	180	141	102	150	n.a.	130	155	52	8,5	11,5	8,5	100	-100	0	-180
BVP116 LED25/740 WB	225	187	128	195	n.a.	155	200	50	13,5	25,0	8,5	100	-100	0	-180
BVP117 LED41/740 WB	285	235	141	235	n.a.	175	246	75	13,5	25,0	10,0	90	-90	-10	-180
BVP115 LED8/740 WB MDU	180	141	102	150	277	130	155	52	8,5	11,5	8,5	100	-45	0	-180
BVP116 LED25/740 WB MDU	225	187	128	195	300	155	200	50	13,5	25,0	8,5	100	-45	0	-180
BVP117 LED41/740 WB MDU	285	235	141	235	320	175	246	75	13,5	25,0	10,0	90	-45	-10	-180





IP65

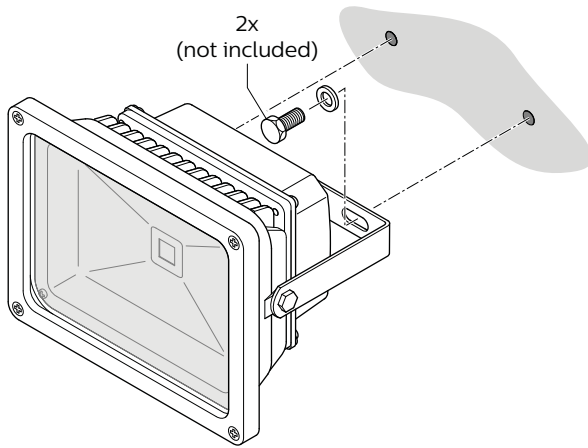
BVP115/116/117



BVP115/116/117 with sensor



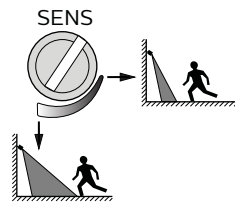
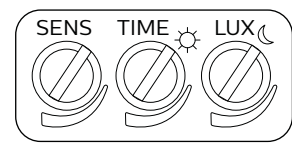
- The luminaire shall be installed by a qualified electrician and wired in accordance with the latest IEE electrical regulations or the national requirements.
- If the external flexible cable or cord of this luminaire cannot be replaced; if the cord is damaged, the luminaire shall be destroyed.



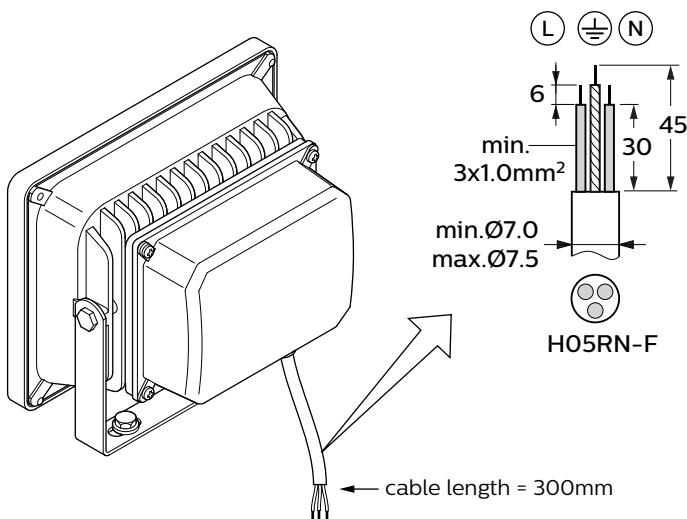
2x (not included)

1

Sensor



2



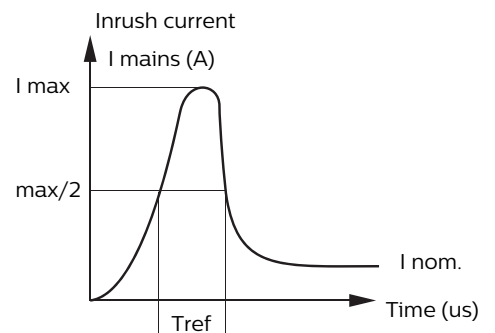
L N

6
min. 3x1.0mm²
45
30

min. Ø7.0
max. Ø7.5

H05RN-F

← cable length = 300mm



Electrical Characteristics

	BVP115	BVP116	BVP117
I _{max} (A)	20	20	20
T _{ref} (μs)	100	100	100
Led driver current (mA)	320	1000	1600

Not to be used for constructions activities.

