

LED Candle Light B2C -Frosted 25W

Authorized Licensee for TOSHIBA trademark



1. Specification:

A. General Data

Model	Classic Candle 25W E1
Product Code	00501315132A
P/N	MMR-14SWP03B0E10
Rated Voltage	230 VAC
Frequency	50 Hz
Rated Wattage	3 W
Deviation Tolerance of Wattage	±10 %
Power Factor (Input 230V, 50Hz)	> 0.5
Start On	<0.5S
Dimmable	NO
Beam Angle	210°
EEL	0.12
Energy Class	A+
Safety requirements	CE
Applicable Environments	Dry location; Not suitable for totally enclosed fixtures
Incandescent Equivalent	25W
Base	E14

B. Light Data

Color	Warm White
Color Temperature (CCT)	2700 K
Rated Lumen Output*	250 lm
Color Rendering Index*	80
Efficacy*	83 lm/W
Color Consistency**	6 Step MacAdam Ellipse (6 SDCM)

* tolerance +/- 10% ** center point (0.45766, 0.40983)

C. Lifetime

(Supplied Voltage: AC230V; Ambient Temperature: 15°C~40°C)

Lumen Maintenance Factor	70% of the rated lifetime
Rated Lifetime – L₇₀B₅₀	15,000 hrs
Switching Cycles	≥ 15,000

D. Temperature Operation

Normal operation temperature	-20°C ~ 40°C
Relative Humidity	10 ~ 90 %

E. Geometric Data

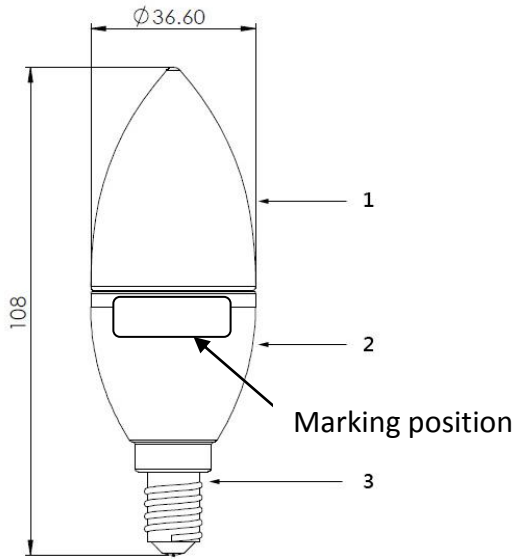
Maximum overall length	108 ± 2 mm
Maximum diameter	36 ± 2 mm

F. Environmental relevant materials

Mercury (Hg)	Comply with RoHS Directive 2011/65/EU
Lead (Pb)	
Cadmium(Cd)	
Hexavalent Chromium(Cr6+)	
Polybrominated Biphenyls(PBBs)	
Polybrominated Diphenyl Ethers(PBDEs)	

2. Outline Drawing

Unit : mm

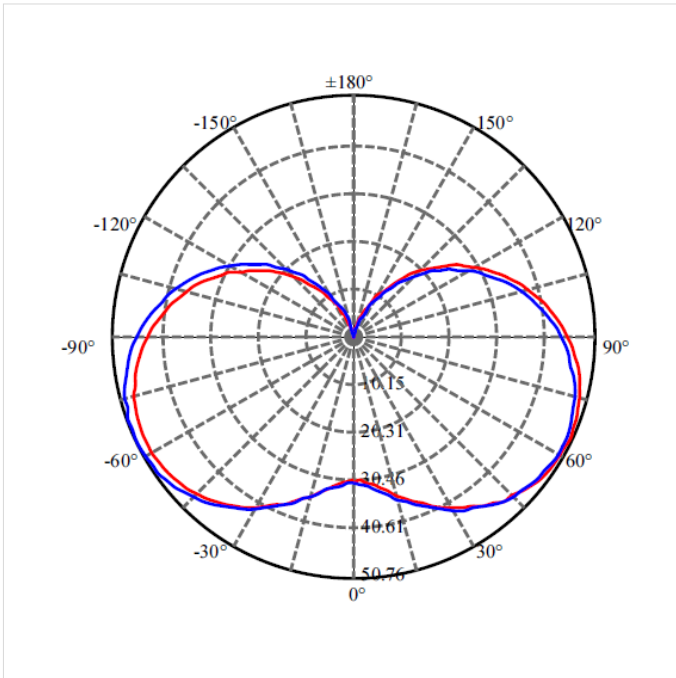


Material Information

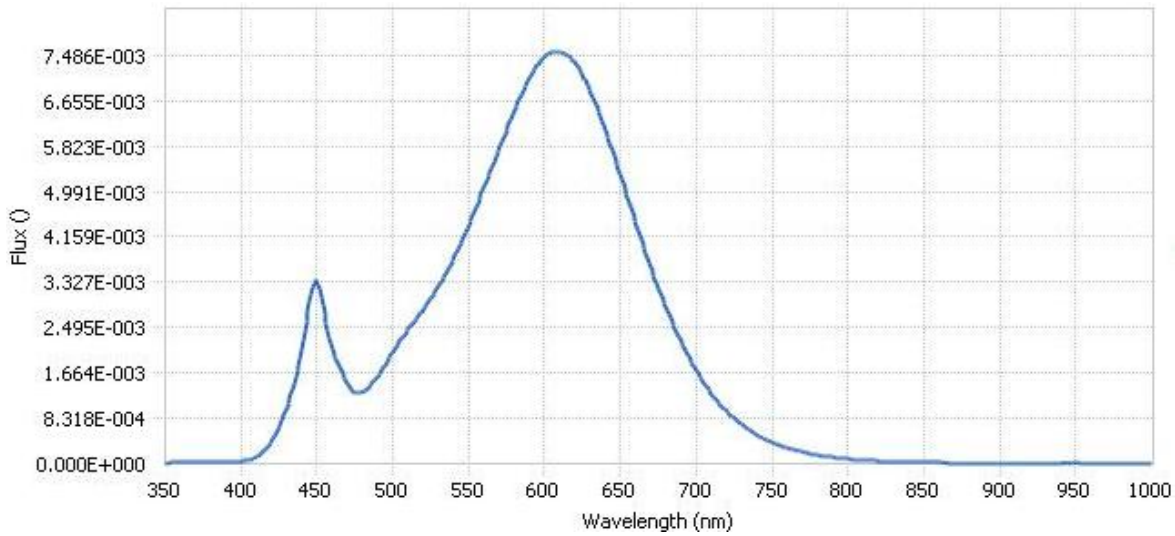
- 1. Lens: Plastic
- 2. Body: Plastic
- 3. Base: Metal

3. Light Distribution Curve

FWHM 210°



4. Spectrum Distribution



5. Warnings

Before replacing, turn off power and let lamp cool to avoid electrical shock or burn.

6. Cautions

Only to apply in dry or damp locations and most of open fixtures with lamp-holders that offer sufficient space (10 mm free air space). Not intended for use with emergency light fixtures or exit lights.

7. Notes

All characteristics are estimated at room temperature (25°C), free air burning, base up burning position and at rated voltage. In view of the complex manufacturing process for light above for the technical LED parameters are merely statistical values that do not necessarily correspond to the actual technic individual products may vary from the typical values.

8. Logistic information

Model	Classic Candle 25W E1
Pieces per pack	1
Product Code	00501315132A
EAN code on pack	4713233151321
Size of pack	37mm * 37mm * 109mm
Weight per pack (G.W)	40g
Packs per outer box	100
ITF code on outer box	34713233151322
Size of outer box	39.5cm * 20cm * 24cm
Weight per outer box(G.W)	4KG

9. Conformity

2014/35/EU; Low Voltage Directive	EN 62560: 2012 + A1:2015 · EN 62471: 2008 · EN 62493: 2010
2014/30/EU; EMC Directive	EN 55015: 2013 · EN 61547: 2009 EN 61000-3-2: 2014 · EN 61000-3-3: 2013
2009/125/EC; ErP Directive	EU Regulation 244/2009 · 874/2012 · 1194/2012
2011/65/EU; RoHS Directive	EN 50581: 2012

10. Business Scheme (Countries)

A. Applicable countries

France, Italy, Belgium, Spain, Morocco, Portugal, Netherlands, Luxembourg, Germany, Turkey, Greece, Austria, Switzerland, Bulgaria, Poland, Hungary, Israel, Sweden, Norway, Ireland, England

Note : The requirement of each country will be reflected to the product specifications, when the products will be shipped to such country.

B. Manufacture

Unity Opto Technology Co., Ltd.

C. Sales channel

B2B flow and B2C