

TubeKIT™ Value

Multifunctional LED batten luminaire



Areas of application

- Home applications indoor
- Corridors, entrances, stairwells, living rooms, basements
- Shelves, furniture integration or under cabinet mounting
- For direct or indirect illumination like Cove lighting
- Kitchens, workspaces

Product benefits

- Easy to use and multifunctional LED batten luminaire
- Energy savings of up to 65 % (compared to T8 fluorescent lamp on CCG)
- Ready for connection due to integrated on/off switch and cable with EU-plug
- Clip-In technology for stationary use and Hook for mobile use
- All accessory included (screws, dowels, clips, hook)
- Homogenous light output
- Extremely break resistant thanks to polycarbonate cover



Product features

- Bright, robust and durable
- Uniform illumination
- Lifetime up to 30,000h
- 0.6m: up to 750lm / 1.2m: up to 1700lm / 1.5m up to 2000lm
- Mercury-free and RoHS compliant
- Non dimmable
- Indoor use only (IP20)

Technical data

Electrical data

Nominal wattage	21.5 W
Nominal voltage	220 - 240 V
Mains frequency	50/60 Hz

Photometrical data

Color temperature	3000 K, 4000 K
Luminous flux	1890 lm, 2100 lm
Light color (designation)	Warm white, Cool white

Light technical data

Light distribution	Symmetric
Beam angle	150°

Dimensions & weight

Length	1500 mm
Width	35 mm
Height	36.5 mm

Colors & materials

Body material	Polycarbonate (PC)
Product color	White
Cover material	Polycarbonate (PC)

Temperatures

Ambient temperature range	-20...+45 °C
---------------------------	--------------

Capabilities

Type of installation	Surface-mount/ Mobile luminaire
Type of connection	Cable with Euro-wallplug

Certificates & standards

Protection class	II
Type of protection	IP20

Product datasheet

Equipment / Accessories

- Complete mounting and connecting accessories included: Wall-clips, hooks, dowels and screws.

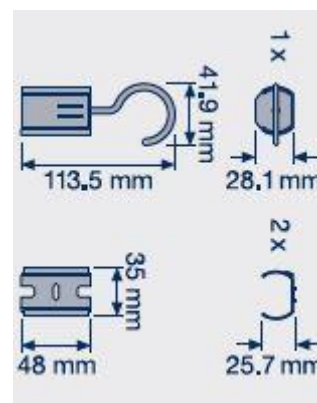
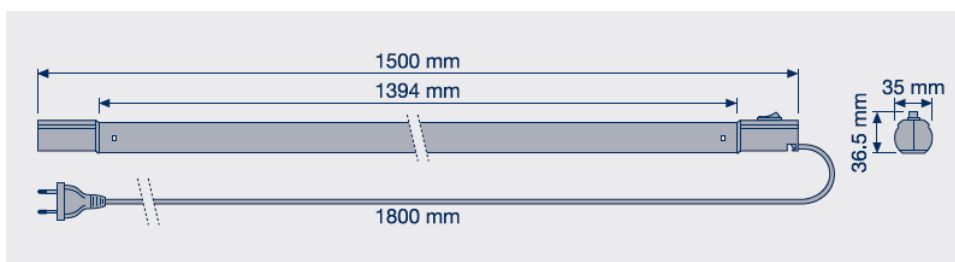
Logistical Data

Product code EAN*	Product description	S-Unit**	Dimensions (length x width x height)	Volume	Gross weight
4052899948105	TubeKIT LED 1.5m 21.5W/830	8 x 1	1786 mm x 191 mm x 95 mm	32dm ³	3149 g
4052899948112	TubeKIT LED 1.5m 21.5W/840	8 x 1	1786mm x 191 mm x 95 mm	32dm ³	4615 g

* EAN: Ordering number per single module

** S-Unit: Lamps per shipping unit

Drawings



Safety and Application notes

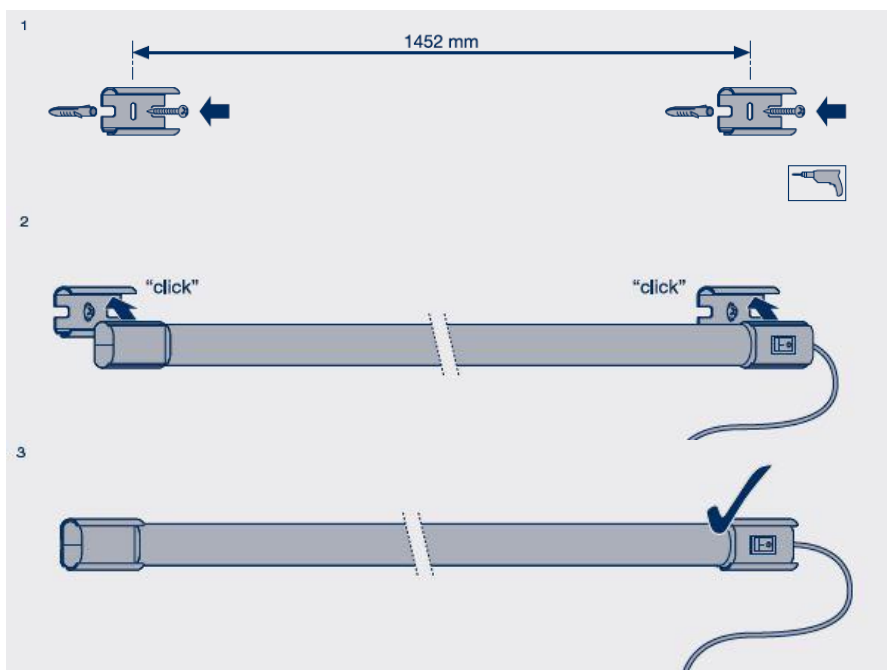
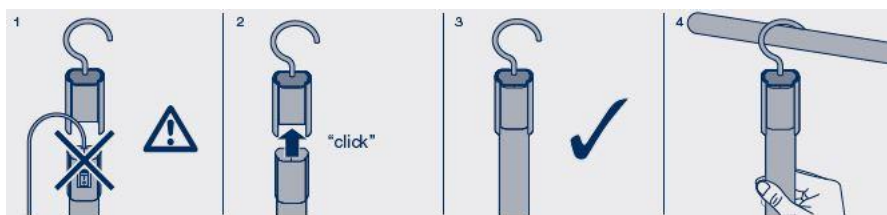
- The TubeKIT Value must not be damaged or operated in a damaged condition.



The TubeKIT Value is protected according to IP20. Applications with external risk of moisture and dust can be served with an adequately protected luminaire.



Installation Instructions



Sales and technical support

OSRAM GmbH

Marcel-Breuer-Strasse 6
D - 80807 München Germany
www.osram.com
+49 (0)89 6213-0

Sales and technical support is given by the local OSRAM subsidiaries. On our world wide homepage all OSRAM subsidiaries are listed with complete address and phone numbers.

Further information

Downloads: www.osram.com/

Disclaimer

Subject to change without notice. Errors and omission excepted. Always make sure to use the most recent release.