

Product number C12479_MIRELLA-DL

Family	Mirella	FWHM	N/A degrees
Type	Sublens	Efficiency	-
LED		cd/lm	(simulated) 0.000
Color	Clear	Gerber File	Available
Diameter	41 mm		
Height	3.4 mm		
Style	Round		
Optic Material	PC		
Holder Material	-		
Fastening	-		
Status	On production		

Product number C13083_PF-SOCKET

Family	Mirella	FWHM	N/A degrees
Type	Base part	Efficiency	-
LED		cd/lm	(simulated) 0.000
Color	White	Gerber File	Available
Diameter	38 mm		
Height	5.5 mm		
Style	Round		
Optic Material	-		
Holder Material	PC		
Fastening	Screw, tape, glue		
Status	On production		

Product number C13333_MIRELLA-CL

Family	Mirella	FWHM	N/A degrees
Type	Sublens	Efficiency	-
LED		cd/lm	(simulated) 0.000
Color	Clear	Gerber File	Available
Diameter	41 mm		
Height	3.4 mm		
Style	Round		
Optic Material	PC		
Holder Material	-		
Fastening	-		
Status	On production		

Product number C13723_MIRELLA-RZL

Family	Mirella	FWHM	N/A degrees
Type	Sublens	Efficiency	-
LED		cd/lm	(simulated) 0.000
Color	Clear	Gerber File	Available
Diameter	41 mm		
Height	2.45 mm		
Style	Round		
Optic Material	PC		
Holder Material	-		
Fastening	-		
Status	On production		



PRODUCT DATASHEET

Mirella series

last update 19/9/2014

NOTE: The typical divergence will be changed by different color, chip size and chip position tolerance. The typical total divergence is the full angle measured where the luminous intensity is half of the peak value.



PRODUCT DATASHEET

Mirella series

last update 19/9/2014

GENERAL INFORMATION

- Product series especially designed & optimized for series of LEDs.
- Special care taken to make light distribution as uniform as possible.
- Lens material optical grade PC with high UV and temperature resistance (120 degrees of Celcius / 248 degrees of Fahrenheit). Allows use of high current and temperature conditions.

Please find more information about used materials from below:

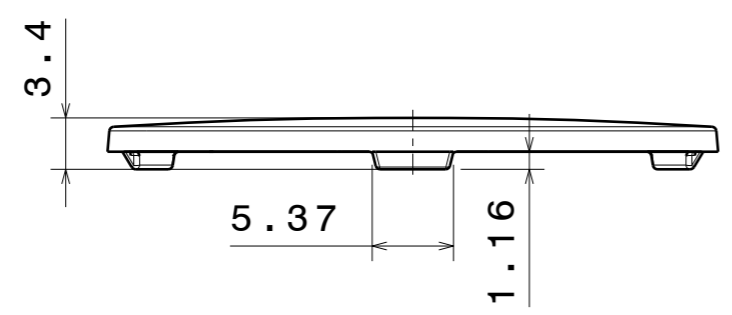
http://ledil.fi/sites/default/files/Documents/Technical/Material/PC%20Makrolon%202400_2407_2456_2458-UL.pdf

- Optic holder molded by high quality PC material (120 degees of Celcius / 248 degrees of Fahrenheit).

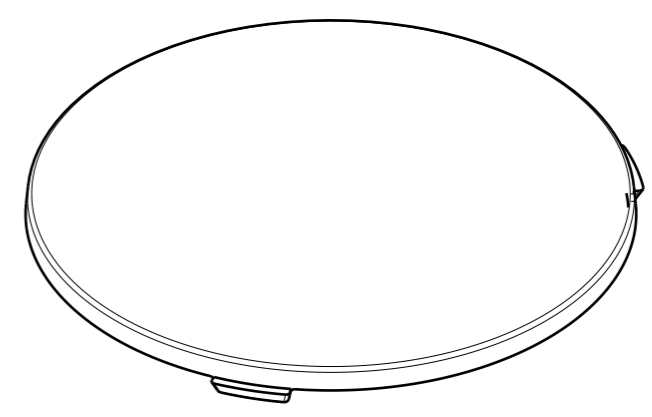
H G F E D C B A

4

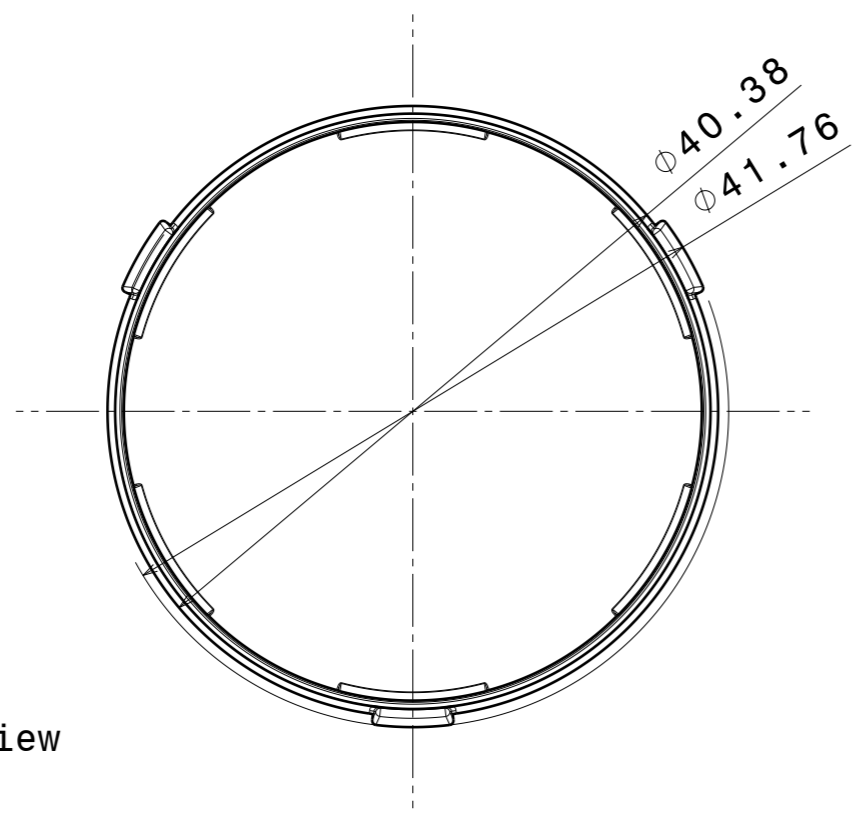
4



Front view



Isometric view



Bottom view

3

3

2

2

1

1

INDEX	PART NO	DESCRIPTION	MATERIAL	COLOUR
1	C12479	MIRELLA-DL	PC	clear

Tolerances if not otherwise shown
 According to DIN ISO 2768-1
 Linear measures: class C
 According to DIN ISO 2768-2
 Form and position: class L

LEDiL LediL Oy
 Salorankatu 10
 FIN 24240 SALO
 Finland

THIRD ANGLE PROJECTION:

DRAWING TITLE
C12479_MIRELLA-DL

This drawing is the property of LEDiL Oy. It may not be reproduced, copied or communicated without a written agreement with LEDiL Oy.

SIZE PART NUMBER
A3 C12479

SCALE 2:1 WEIGHT 2,94 g SHEET 1/1

H G B A