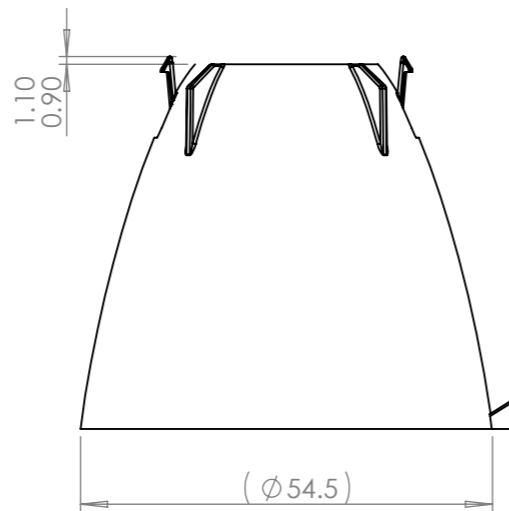
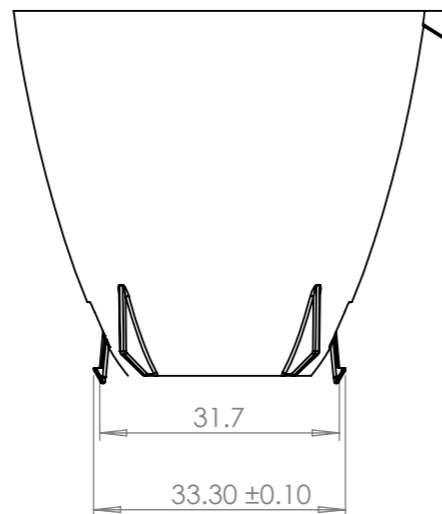
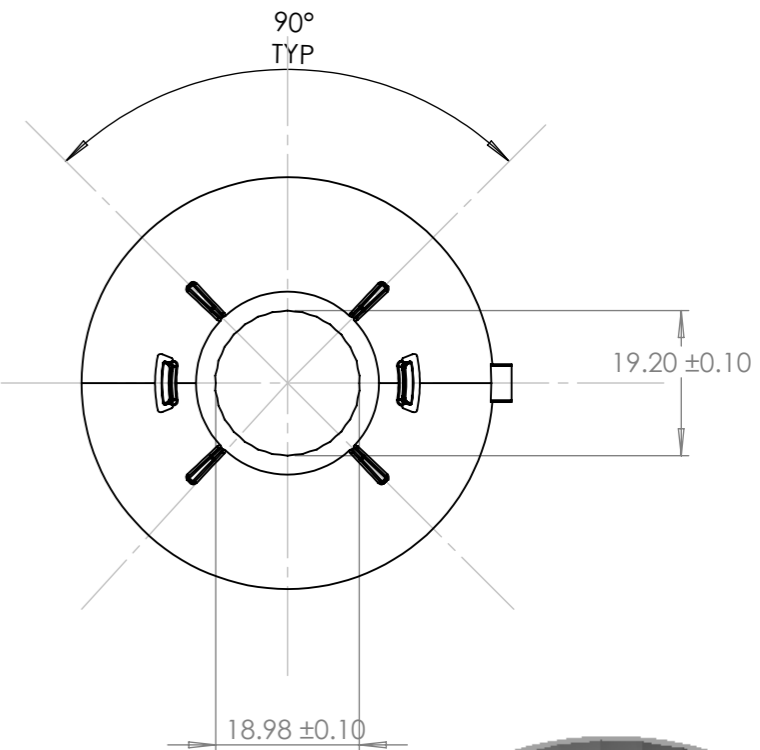
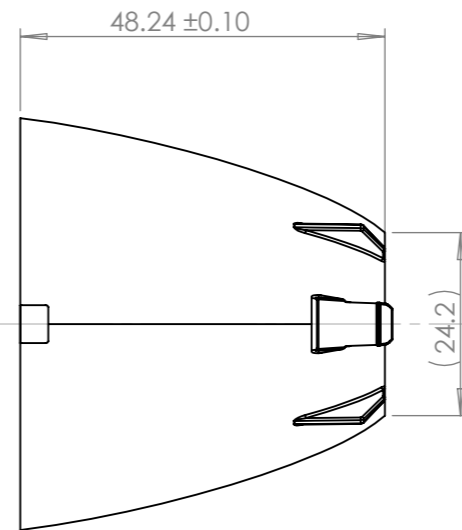
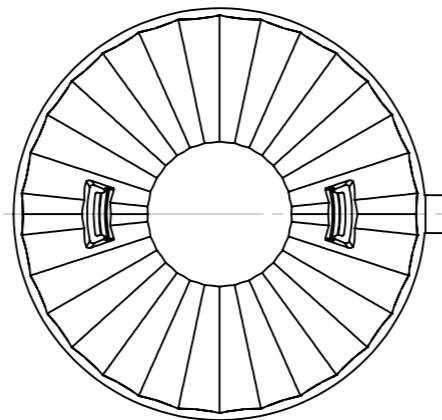


# CUSTOMER DRAWING

REVISIONS					
REV.	DATE	D.C.N NUMBER	DESCRIPTION	CHECKED BY DATE	APPROVED BY DATE
1	24/08/2012		FIRST ISSUE	MH 10/09/12	PW 21/09/12
2	05/10/2012	10/12/1349	Changed clip thickness and position for better fit Refer to balloon 2	MH 09/10/12	DG 09/10/12



GATE LOCATION  
DEGATED FLUSH TO REFLECTOR DIAMETER



NOTES:

- 1 - MATERIAL: POLYCARBONATE
- 2 - FINISH: COMMERCIAL POLISH FOR ALL NON OPTICAL SURFACES. OPTICAL SURFACES ARE OPTICALLY POLISHED
- 3 - OVERALL PART THICKNESS = SEE 3D FILE
- 4 - COLOUR CARCLO GREY/ ALUMINIUM COATED
- 5 - GENERAL DRAFT 2°
- 6 - SIMPLIFIED GEOMETRY SHOWN  
- NOT SUITABLE FOR RAY TRACING

SCALE 1:1

SHEET 2 OF 2

		Title		NEWTON 54MM DIAMETER REFLECTOR WIDE BEAM ANGLE				
103 Buckingham Avenue SL1 4PF, UK. Tel: +44(0) 01753 575 011 Fax: +44(0) 01753 811 359 sales@carclo-optics.com www.carclo-optics.com		Drawn by	BB	Customer	CARCLO		Scale	AS SPEC
THIRD ANGLE PROJECTION	GENERAL TOLERANCES UNLESS OTHERWISE STATED	CARCLO Optics		DIMENSION IN mm		Format Size		A3
	LINEAR	CONFIDENTIAL: UNAUTHORISED COPYING, DISCUSSION & DISTRIBUTION PROHIBITED		CAD File	093-12685-70178-54mm-Dia-RFL-WIDE-Rev2			
	ANGULAR			Part N°	12685	Drw N°	70178	
	0 ± 0.25							
	0.0 ± 0.1							
	0.00 ± 0.05							
	0 ± 1°							
	0.0 ± 0.5°							
	0.00 ± 0.1°							