

LED DOWNLIGHT Set 3x3W

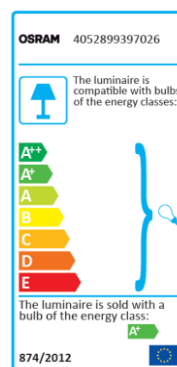
3 recessed downlights with GU10 base and OSRAM GU10 LED lamp.



Areas of application

- Indoor home applications
- Corridor, entrance, stairwell
- Living room
- Kitchen

ErP



Product benefits

- Included lamp saves 91% energy, when compared with a 35W halogen lamp
- Very homogenous light output, due to frosted lamp diffusor and 120° beam angle
- Extremely easy installation
- Class II luminaire, no PE connection is required

Product features

- Three-part set equipped with replaceable GU10 based LED lamps
- High-quality housing, brushed nickel design
- Very long lifetime: up to 25,000h*

* acc. (EC) 1194/2012

Technical data for one downlight

Electrical data of included lamp

Nominal wattage	3 W
Nominal voltage	230 Vac
Mains frequency	50 Hz
Dimming	-

Photometrical data of included lamp

Nominal luminous flux	240 lm
Color temperature	2700 K
Light color (designation)	Warm white
Color rendering index (CRI)	>80
Beam angle	120°

Dimensions and weight of downlight incl. lamp

Diameter	82 mm
Height	100 mm
Weight	108 g


Colors and materials

Body material	Metal (nickel matt)
Body color/finish	Grey/brushed

Installation

Type of installation	Recessed in 70 mm cutout
Type of electrical connection	2 terminals (L-N)

Certificates and standards

Protection class	II 
Type of protection	IP20
IK	-
Available certificates	CE
ErP rating of luminaire	Downlight suitable for lamps A++ to E
ErP rating of included lamp	A+

Lifetime of included lamp

Product lifetime	25.000 hrs (L70B50)
------------------	---------------------

Product datasheet

Equipment / Accessories

- Clamps for recessed mounting included in shipment.

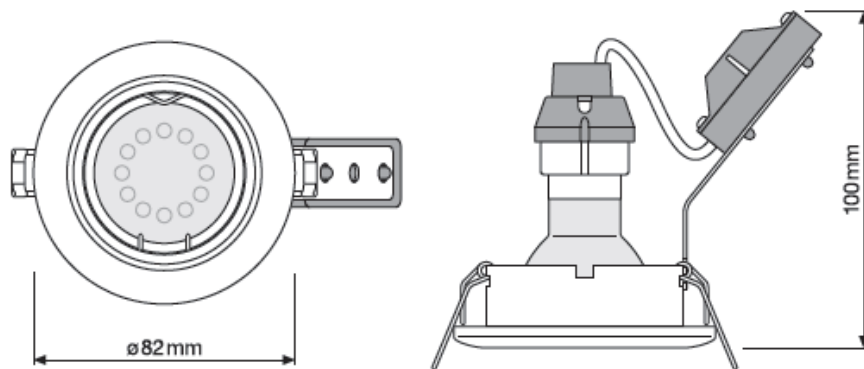
Logistical Data

Product code EAN*	Product description	S-Unit**	Dimensions (length x width x height)	Gross weight s-unit
4052899397026	LED DOWNLIGHT	8 x 3	305 x 215 x 290 mm	~4.3 kg
4052899415171	LED DOWNLIGHT Display	90 x 3	460 x 540 x 1240 mm	~52.0 kg

* EAN: Ordering number per single module

** S-Unit: Lamps per shipping unit

Drawing



Safety and Application notes

- The luminaire must not be damaged or operated in a damaged condition.
- Connect to the power supply in accordance with national regulations.

Sales and technical support

OSRAM GmbH
Marcel-Breuer-Strasse 6
D - 80807 Munich
Germany

www.osram.com
+49 (0)89 6213-0

Sales and technical support is given by the local OSRAM subsidiaries.

On our world wide homepage all OSRAM subsidiaries are listed with complete address and phone numbers.

Further information

www.osram.com/

Disclaimer

Errors and omissions excepted. Please make sure to always use the latest version of this datasheet.