

## TubeKIT™ Value

Multifunctional LED batten luminaire



### Areas of application

- Home applications indoor
- Corridors, entrances, stairwells, living rooms, basements
- Shelves, furniture integration or under cabinet mounting
- For direct or indirect illumination like Cove lighting
- Kitchens, workspaces

### Product benefits

- Easy to use and multifunctional LED batten luminaire
- Energy savings of up to 65 % (compared to T8 fluorescent lamp on CCG)
- Ready for connection due to integrated on/off switch and cable with EU-plug
- Clip-In technology for stationary use and Hook for mobile use
- All accessory included (screws, dowels, clips, hook)
- Homogenous light output
- Extremely break resistant thanks to polycarbonate cover



### Product features

- Bright, robust and durable
- Uniform illumination
- Lifetime up to 30,000h
- 0.6m: up to 750lm / 1.2m: up to 1700lm / 1.5m up to 2000lm
- Mercury-free and RoHS compliant
- Non dimmable
- Indoor use only (IP20)

---

## Technical data

### Electrical data

Nominal wattage	19 W
Nominal voltage	220 - 240 V
Mains frequency	50/60 Hz

### Photometrical data

Color temperature	3000 K, 4000 K
Luminous flux	1530 lm, 1700 lm
Light color (designation)	Warm white, Cool white

### Light technical data

Light distribution	Symmetric
Beam angle	150°

### Dimensions & weight

Length	1200 mm
Width	35 mm
Height	36.5 mm

### Colors & materials

Body material	Polycarbonate (PC)
Product color	White
Cover material	Polycarbonate (PC)

### Temperatures

Ambient temperature range	-20...+45 °C
---------------------------	--------------

### Capabilities

Type of installation	Surface-mount/ Mobile luminaire
Type of connection	Cable with Euro-wallplug

### Certificates & standards

Protection class	II
Type of protection	IP20

## Product datasheet

### Equipment / Accessories

- Complete mounting and connecting accessories included: Wall-clips, hooks, dowels and screws.

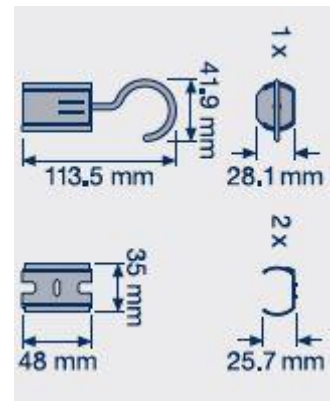
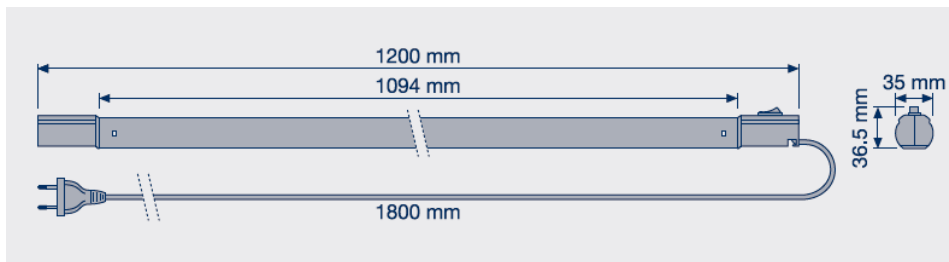
### Logistical Data

Product code EAN*	Product description	S-Unit**	Dimensions (length x width x height)	Volume	Gross weight
4052899948082	TubeKIT LED 1.2m 19W/830	8 x 1	1486 mm x 191 mm x 95 mm	27dm <sup>3</sup>	3149 g
4052899948099	TubeKIT LED 1.2m 19W/840	8 x 1	1486mm x 191 mm x 95 mm	27dm <sup>3</sup>	3149 g

\* EAN: Ordering number per single module

\*\* S-Unit: Lamps per shipping unit

### Drawings



### Safety and Application notes

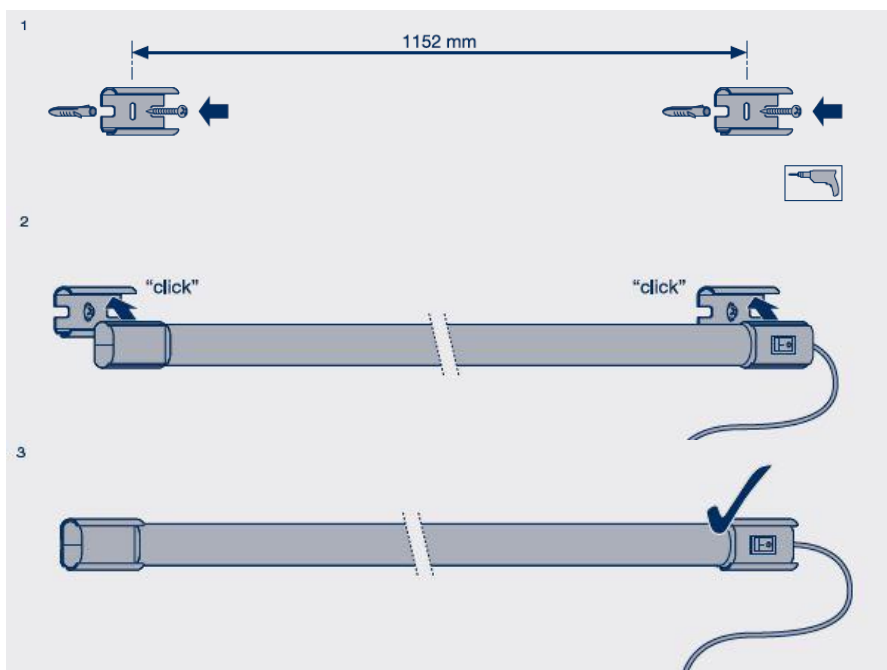
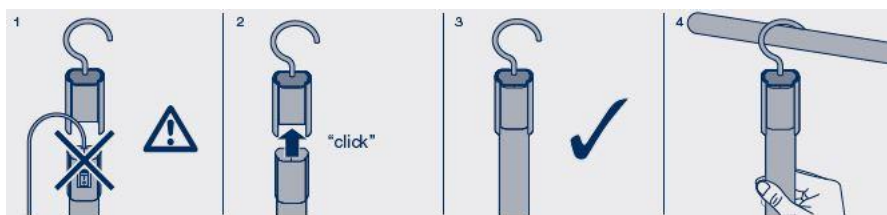
- The TubeKIT Value must not be damaged or operated in a damaged condition.



The TubeKIT Value is protected according to IP20. Applications with external risk of moisture and dust can be served with an adequately protected luminaire.



### Installation Instructions



### Sales and technical support

**OSRAM GmbH**

Marcel-Breuer-Strasse 6  
D - 80807 München Germany  
[www.osram.com](http://www.osram.com)  
+49 (0)89 6213-0

Sales and technical support is given by the local OSRAM subsidiaries. On our world wide homepage all OSRAM subsidiaries are listed with complete address and phone numbers.

### Further information

Downloads: [www.osram.com/](http://www.osram.com/)

### Disclaimer

Subject to change without notice. Errors and omission excepted. Always make sure to use the most recent release.