

1

2

3

4

5

6

7

8

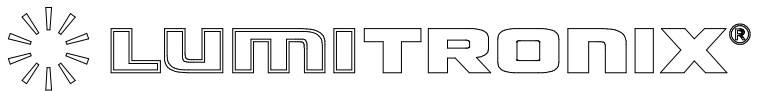
RevNo

Revision note

Date

Signature

Checked



A

A

B

B

C

C

D

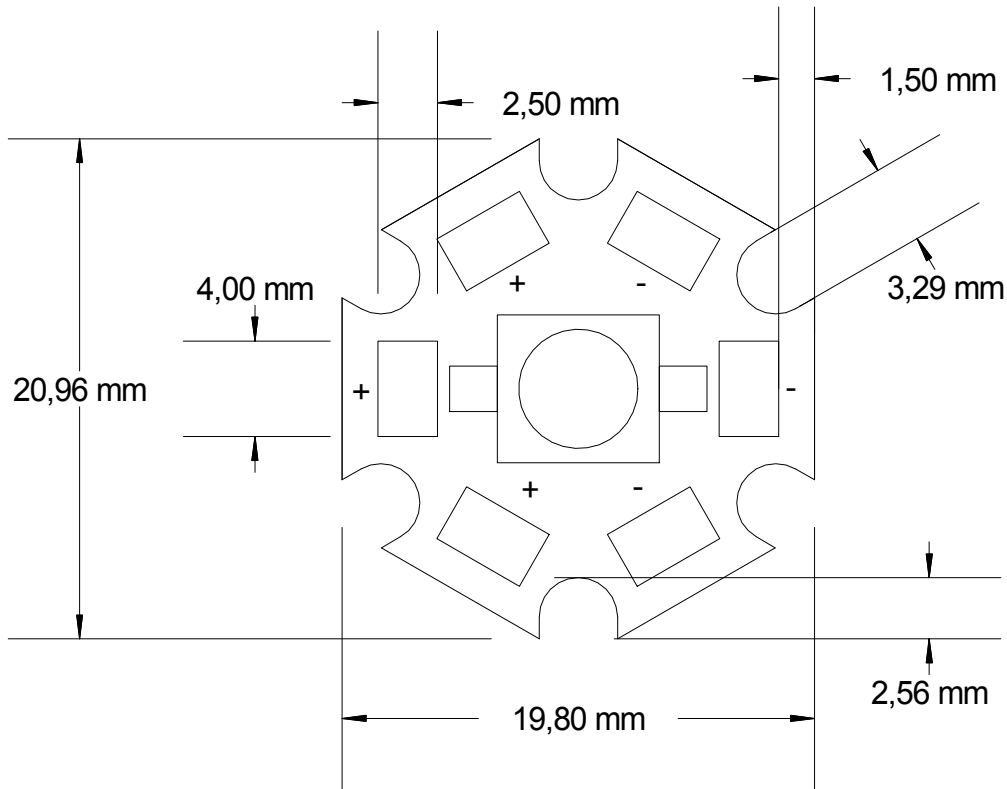
D

E

E

F

F



Itemref	Quantity	Title/Name, designation, material, dimension etc			Article No./Reference	
Designed by TIH	Checked by TS	Approved by - date PS - 11.03.2013	Filename Star_Osram_GD	Date 11.03.2013	Scale 1:1	
LUMITRONIX			60042			
			1	Edition 0	Sheet 1/1	

1

2

3

6

7

8