

X-DIMMER-3

DESCRIPTION

X-DIMMER-3 is a multifunctional LED Dimmer to set the intensity and the color effect for RGB LEDs flexible for your LED fixtures

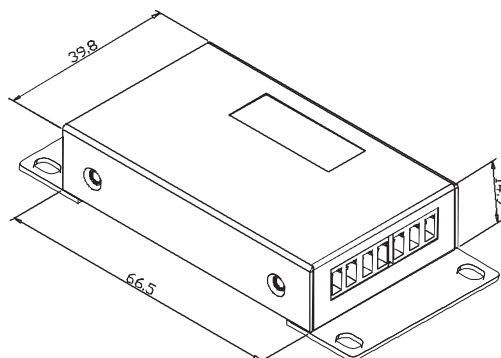
FEATURES

RGB Color (Threechannel) intensity can be adjustable separately.
Ideal drive for X-CHIP LED modules.
Output capacity in 6A per channel, total 6A
Start DMX address setting by Dipswitch
DMX Controlmode or Manualmode

SPECIFICATION

POWER REQUIREMENT	12 ~ 24 V D C , 6,5A max.
INPUT	2 p i n t e r m i n a l s o c k e t f o r (D C p o w e r)
	3 p i n t e r m i n a l s o c k e t f o r (D M X i n)
OUTPUT	3 p i n t e r m i n a l s o c k e t f o r (D M X o u t)
	4 p i n t e r m i n a l s o c k e t , l o a d i n g m a x 6 A
HOUSING	Sheet metal black powder finish
INGRESS PROTECTION RATING	IP20
CONTROL	DMX512 (1990)
CONNECTION	Terminal
LISTING	Certified
OPERATION TEMPERATURE	10 deg C to + 50 deg C
STORAGE TEMPERATURE	20 deg C to +70 deg C
DIMENSIONS	67 (L) x 40 (W) x 15 (H) m m
WEIGHT	150 g

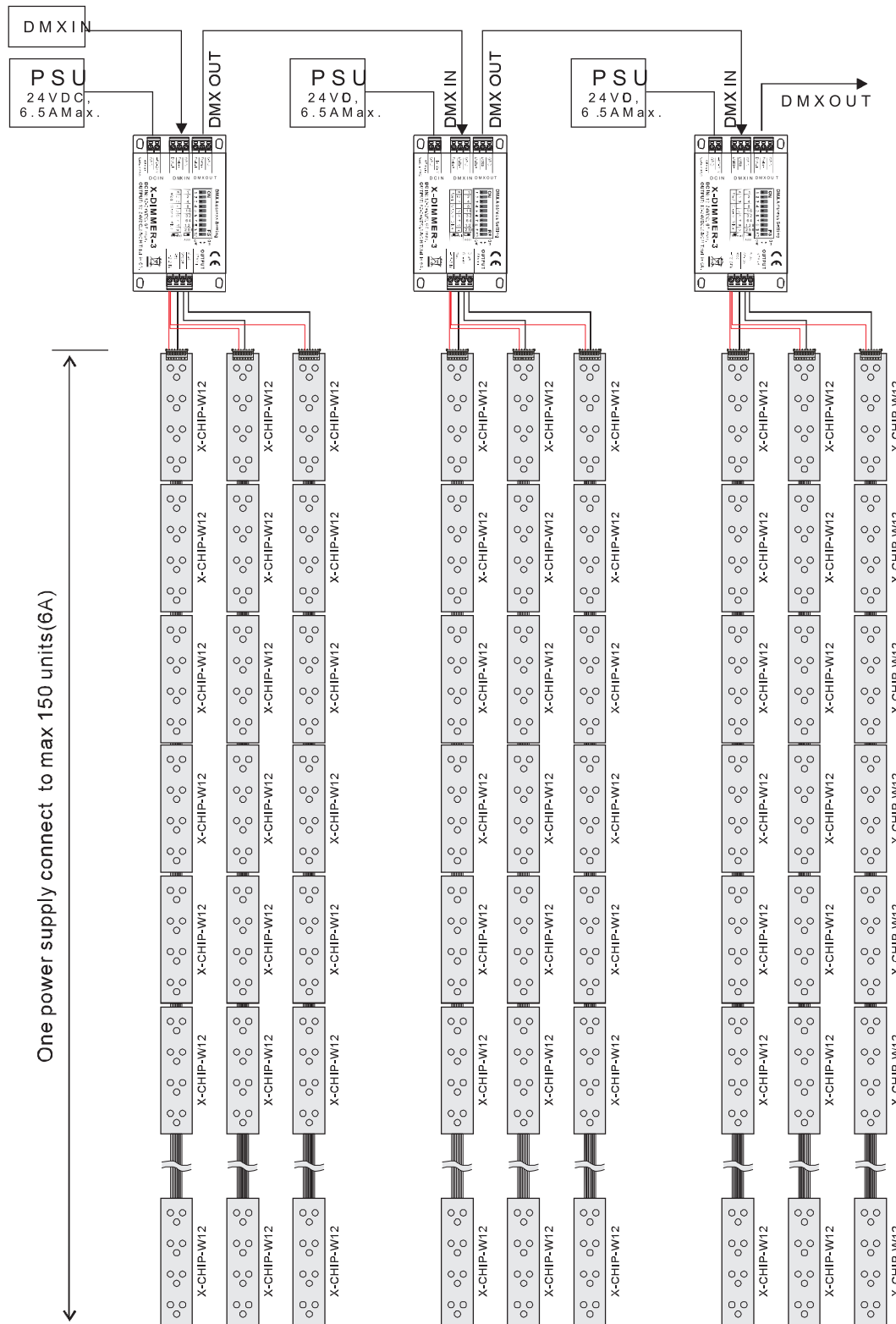
DIMENSIONS



X-DIMMER-3

SYSTEM CONNECTION DIAGRAMM

* Remark: 170 pcs X DIMMER 3 per DMX univers. Add signal repeater if X DIMMER 3 over 32 pcs or data cable over 100m



X-DIMMER-3

X-DIMMER-3

SYSTEM CONNECTION DIAGRAM (controll Eye) ø5mm LED Version

Remark: 70pcs X-DIMMER-3 per DMX univers, add signalrepeater if X-DIMMER-3 over 32 pcs or datacable over 100m

